

# PARTS LIST/EXPLODED VIEW

# PARTS LIST

# CS6.0

ITEM	PART NO.	DESCRIPTION	QTY
1	7R487900	CUP HOLDER L/H	1
2	7C478500	PACE CHART	1
3	7C478800	WARNING LABEL	1
4	7C461700	SHOULDER COVER LH	1
5	7C479600	KEY PAD CS4	1
5A	7C479700	KEY PAD CS6/8	1
6	7R489300	FAN GRILL L/H CS6/8	1
6A	7R489100	FAN GRILL BLANK L/H SC4	1
7	7C527100	FAN SPEED CONTROL MEMBRANE	1
8	7R489500	PANEL BLANK BOTTOM L/H	1
9	7R485700	FAN	2
10	7C478200	UPPER CONSOLE CS4	1
10A	7C478300	UPPER CONSOLE CS6	1
10B	7C478400	UPPER CONSOLE CS8	1
11	70304500	SCREW #6 X 3/8	9
12	70304500	SCREW #6 X 3/8	6
13	7R490800	AUDIO/FAN MEMBRANE BOARD	1
14	70304500	SCREW #6 X 3/8	2
15	70304100	CAGE NUT 3/8-16	4
17	70298900	SCREW #8 X 5/8	14
18	70304500	SCREW #6 X 3/8	3
19	7C76300	WIRELESS HR ASSY.	1
20	7X408200	HR TOUCH GRIP ASSY.	2
22	7C469600	ARM L/H	1
23	70190900	BOLT 1/4-20 X 1 SERATED HEH	4
26	7C475700	SLEEVE 1.25 X 1	2
27	7C474304	BALANCE BAR COVER CS4	1
27A	7C527000	BALANCE BAR COVER W/ MEMBRANE CS6/8	1
30	70348600	20 AMP. BREAKER	1
31	7R499500	STOP SWITCH ASSY.	1
32	70304500	SCREW #6 X 3/8	2
33	7474600	SCREW #8 X 1.25	4
34	7C530900	UPPER BOARD CS4 120V	1
34A	7C530920	UPPER PANEL CS4 240V	1
34B	70548700	UPPER PANEL CS6 120V	1
34C	70548720	UPPER PANEL CS6 240V	1
34D	70548600	UPPER PANEL CS8 120V	1
34E	70548620	UPPER PANEL CS8 240V	1
35	70304500	SCREW #6 X 3/8	10
36	7R491300	KEYPAD INTERFACE BOARD	1

# PARTS LIST

# CS6.0

ITEM	PART NO.	DESCRIPTION	QTY
37	7C527500	FAN FILTER BOARD	1
38	7R491000	FAN CONTROL BOARD	1
39	70304500	SCREW #6 X 3/8	4
40	70304500	SCREW #6 X 3/8	2
41	70304500	SCREW #6 X 3/8	4
42	7R490900	DAUGHTER BOARD	1
43	7C469700	ARM R/H	1
44	7C461301	CONSOLE UNDERSIDE TRAY	1
45	70298900	SCREW #8 X 5/8	4
46	70304500	SCREW #6 X 3/8	4
47	7C462900	SERVICE CONNECTOR PLATE	1
48	7C462004	PEDESTAL WELDMENT CS4	1
48a	7C462006	PEDESTAL WELDMENT CS6	1
48b	7C462008	PEDESTAL WELDMENT CS8	1
49	7C461400	CONSOLE BACK CABINET	1
49a	7C461500	CONSOLE BACK CABINET ENTERTAINMENT	1
50	7C479000	OPERATION INSTRUCTIONS	1
51	7C478700	HR CHART	1
52	7R489400	FAN GRILL R/H	1
52A	7R489200	FAN GRILL BLANK R/H CS4	1
53	7C461800	SHOULDER COVER RH	1
54	70304500	SCREW #6 X 3/8	8
55	7R489600	PANEL BLANK BOTTOM R/H	1
56	70142400	SCREW 10-32 X 1/2	3
57	ENT.	SCREEN ASSEMBLY	1
58	ENT.	PIVET HANDLE	1
59	ENT.	PIVET HEAD	1
60	ENT.	ENTERTAINMENT MAST	1
61	ENT.	SHOULDER WASHER	8
62	ENT.	WASHER #10 STAR EXTERNAL	4
63	ENT.	NUT 5/16 X 2.5	1
64	ENT.	BELLVILLE SPRING WASHER	2
65	ENT.	SCREW 1/4 20 X 5/8	2
66	7C472700	POW. CORD RETAINER	1
67	ENT.	BELLVILLE SPRING WASHER	4
68	ENT.	GROMMET BUSHING	4
69	ENT.	BELLVILLE SPRING WASHER	2
70	ENT.	MOUNT COVER	1
71	ENT.	SCREW #6 X 3/8	4
72	ENT.	BOLT 5/16-18 X 2.5	2

# PARTS LIST

# CS6.0

ITEM	PART NO.	DESCRIPTION	QTY
73	ENT.	BOLT 5/16-18 X 2.5	1
74	ENT.	FENDER WASHER 1/4 X 1	8
75	ENT.	SCREW #10-32 X 1/2	8
76	ENT.	MOUNT COVER LOWER FRONT	1
77	ENT.	MOUNT COVER LOWER REAR	1
78	ENT.	SCREW #6 X 3/8	4
79	ENT.	NAME PLATE ENTERTAINMENT	1
80	ENT.	SCREW #6 X 3/8	2
81	ENT.	ENTERTAINMENT CONTROLLER	1
82	ENT.	CONTROLLER MOUNTING BRACKET	1
83	ENT.	CONTROLLER MOUNTIN RING	1
84	7R488000	CUP HOLDER R/H	1
84A	ENT.	CRADLE ENTRAINMENT CONTROLLER	1
85	ENT.	MOUNT SPACER	2
86	ENT.	MOUNT SPRING	2
87	ENT.	SCREW 10-32 X 1 1/2	2
88	ENT.	CONTROLLER MOUNT NUT 5/16-18 X 2.5	1
89	70386200	CS SAFTY KEY W/ LANYARD	1
90	7C460400	TREADBELT CS	1
91	7C471500	SOCKET HEAD SCREW 3/8-16 X 2.5	2
92	70053100	LOCK WASHER	2
93	70283300	FLAT WASHER 3/8 ALUM.	2
94	70013500	SCREW 10/32 X 3/8	2
95	7C471300	REAR ROLLER GUARD R/H	1
95A	7C471200	REAR ROLLER GUARDL/H	1
96	70013500	SCREW 10/32 X 3/8	2
97	7C468100	REAR ROLLER	1
98	7C460500	DECK TWO SIDED	1
99	7R493200	DECK MOUNTING SCREWS	6
100	70363800	DECK BUMPER STEM SIDE	2
101	7C477800	FRONT ROLLER	1
102	70292900	BELT GUIDE	2
103	70019300	SCREW 10 X 3/4	4
104	7C467600	DECLINE FOOT ASSY. CS8	1
105	7C467400	REAR SWIVAL FOOT R/H	1
105A	7C467300	REAR SWIVAL FOOT L/H	1
106	70013500	SCREW 10/32 X 3/8	4
107	7C466600	SIDEFAME TRIM R/H	1
107A	7C466500	SIDEFAME TRIM L/H	1
108	70304200	BUTTON HEAD BOLT 3/8-16 X 4	4

# PARTS LIST

# CS6.0

ITEM	PART NO.	DESCRIPTION	QTY
109	70013500	SCREW 10/32 X 3/8	4
110	7C466400	REAR ROLLER COVER R/H	1
110A	7C466300	REAR ROLLER COVER L/H	1
111	7R498500	OILITE FLANGED BEARING	4
112	70174300	SHOULDER BOLT 1/2 X 1	2
113	70183700	CLEVIS PIN 3/8 X 2 1/8	1
114	7R498800	RUE COTTER RING	2
115	7R498700	WHEEL SHOULDER BOLT	2
116	70176701	ELIV. WHEELS	4
117	70253700	NUT 3/8-16 THIN LOCKING	2
118	70283300	WASHER	2
119	7R498600	BEARING SLIM	2
120	70550700	WASHER	2
121	7R510700	FAN-AUDIO POWER SUPPLY CS6/8 220V	1
121A	7R494800	FAN-AUDIO POWER SUPPLY CS6/8 120V	1
122	70363000	POWER CORD 120V	1
122A	70363100	POWER CORD 240V	1
123	70013500	SCREW 10/32 X 3/8	4
124	70382200	BOLT 5/16-18 X 1 3/4	4
125	70115200	WASHER 5/16	4
126	70169100	WASHER #10 STAR INTERNAL TOOTH	4
127	7C470910	BASE-INSULATING CAP KIT	4
129	70333300	LINE FILTER	1
130	7C460900	LOWER BOARD 120V	1
130A	7C461000	LOWER BOARD 240V	1
131	7C466700	PEDESTAL PIVOT TRIM L/H	1
131A	7C466800	PEDESTAL PIVOT TRIM R/H	1
132	70340500	SCREW BTN 3/8-16 X 3/4	2
133	7C460600	DRIVE BELT	1
134	7C461600	SPEED SENSOR	1
135	7C467700	DRIVE MOTOR	1
136	70125500	NUT 5/16-18	4
137	70115200	WASHER 5/16	4
138	7C474800	STRADDLE COVER L/H	1
139	7C474900	STRADDLE COVER R/H	1
140	70327006	STRADDLE COVER INSERT	2
141	70013500	SCREW 10/32 X 3/8	14
142	7R485300	RUBBER DECK MOUNT TALL	6
143	7C473400	RUBBER DECK MOUNT SHORT	6
144	7R480800	INCLINE MOTOR 120V	1

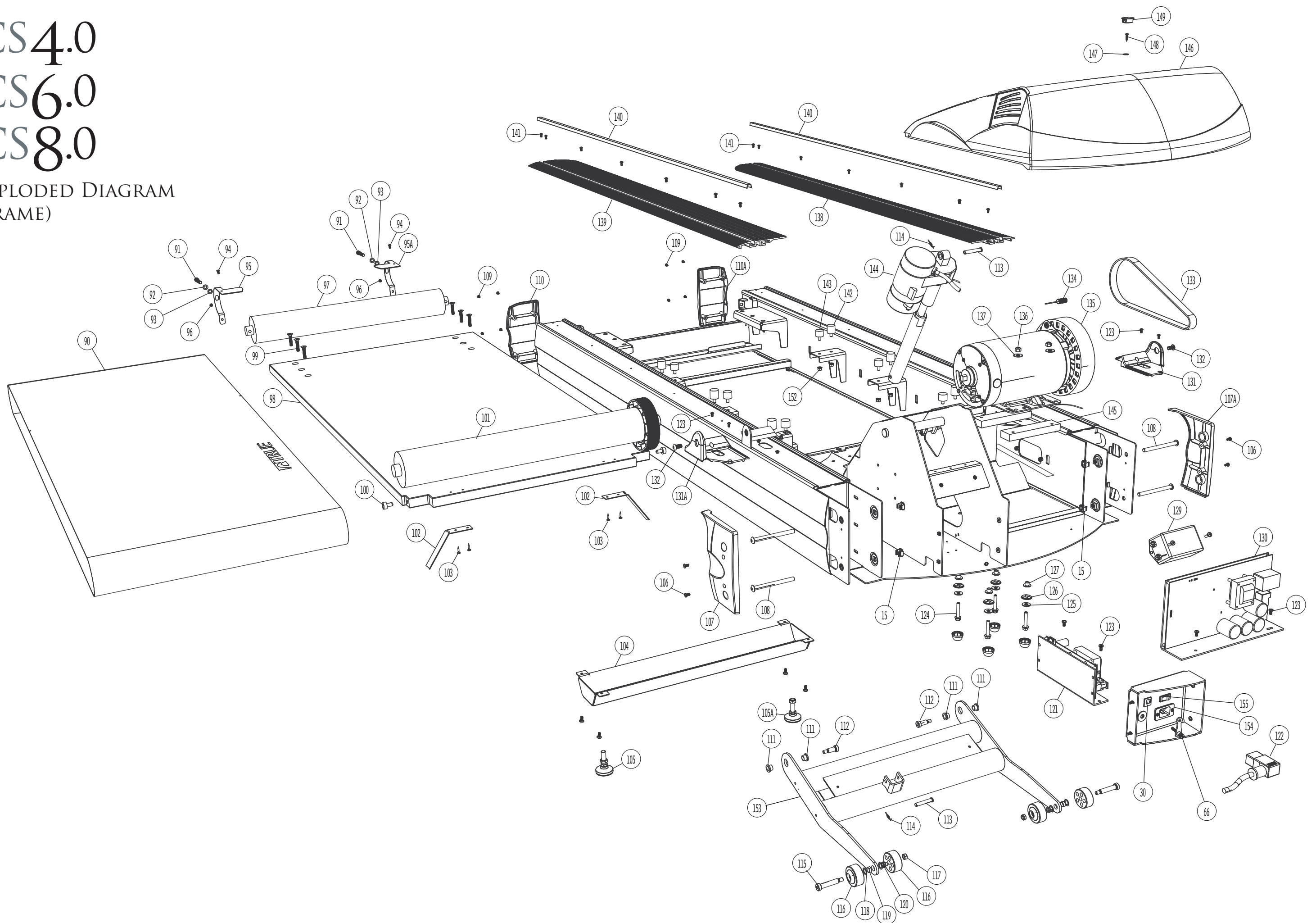
# PARTS LIST

# CS6.0

ITEM	PART NO.	DESCRIPTION	QTY
144A	7R480900	INCLINE MOTOR 240V	1
145	7C470800	AC MOTOR INSULATOR MOUNT	2
146	7C466900	MOTER COVER	1
147	70247200	WASHER #8	1
148	70308500	SCREW 10-32 X 1 1/2	1
149	70309500	MOTOR COVER PLUG 1"	1
150	70315600	CSAFE JACK w/ CABLE	2
151	7R489900	FISP BOARD	1
152	7R493000	FRAME BUMPER NUT 5/16-18	12
153	7C464900	INCLINE WELDMENT	1
154	70319600	PWR. INLET 120V	1
154A	702616	PWR. INLET 240V	1
155	70251100	ROCKER SWITCH I/O	1
	7C475900	CHR Grip Cable	2
	7C475800	CHR Board Cable	1
	7R494700	CSAFE Cable	2
	7R499600	20-pin Controller Cable	1
	7C476200	Midbar Keypad Cable	1
	7R506900	Fan Interface Board to Keypad Interface Cable	1
	7R494000	Keypad Interface Cable	1
	7C527400	Fan Interface Board to Fan Filter Cable	1
	7R493900	User's Left Fan Cable	1
	7R502700	User's Right Fan Cable	1
	7R489800	FISP Cable	1
	7R493500	Safety Switch Cable	1
	7C476300	Wireless Heart Rate Board Cable	1

# CS4.0 CS6.0 CS8.0

## EXPLODED DIAGRAM (FRAME)



# CS4.0 CS6.0 CS8.0

## EXPLODED DIAGRAM (PEDESTAL)

